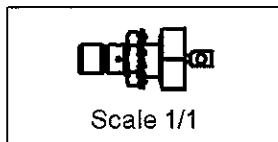
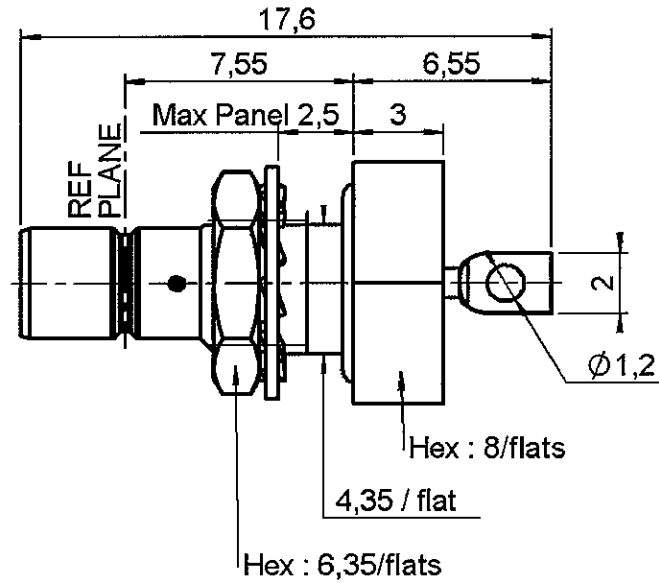


BULKHEAD HERMETICAL JACK RECEPTACLE

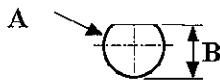
R114.603.000

REAR MOUNTING - PANEL SEAL

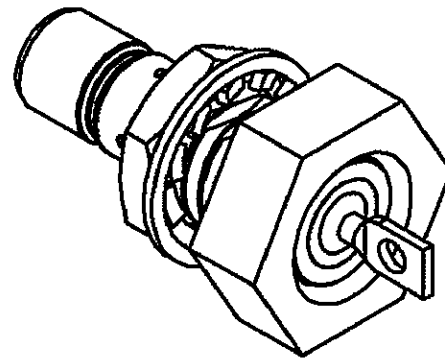
Series : SMB



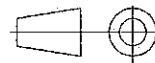
PANEL CUT OUT



	mm	
	Maxi	mini
A	5	4.9
B	4.55	4.45



All dimensions are in mm.



COMPONENTS	MATERIALS	PLATINGS (µm)
BODY	BRASS	GOLD 0.2 OVER NICKEL 2
CENTER CONTACT	BRASS	GOLD 1.3 OVER NICKEL 2
OUTER CONTACT	-	-
INSULATOR	PTFE	-
GASKET	FLUOROCARBON RUBBER	-
OTHERS PARTS	DILVER P	TIN 3 OVER NICKEL 2
-	-	-
-	-	-

Issue : 0504 U

In the effort to improve our products, we reserve the right to make changes judged to be necessary.



BULKHEAD HERMETICAL JACK RECEPTACLE

R114.603.000

REAR MOUNTING - PANEL SEAL

Series : SMB

PACKAGING

SPECIFICATION

Standard	Unit	Other
100	'W' option	Contact us

ELECTRICAL CHARACTERISTICS

ENVIRONMENTAL

Impedance		50 Ω
Frequency		0-4 GHz
VSWR	1.05 +	0.008 x F(GHz) Maxi
Insertion loss		0.03* √F(GHz) dB Maxi
RF leakage	- (57 - F(GHz)) dB Maxi
Voltage rating		500 Veff Maxi
Dielectric withstanding voltage		1000 Veff mini
Insulation resistance		1000 MΩ mini

Operating temperature	-65/+165 ° C
Hermetic seal	10-6 Atm.cm3/s
Panel leakage	NA

OTHERS CHARACTERISTICS

Assembly instruction **NA**

Others :

* Coaxial Transmission Line Only

MECHANICAL CHARACTERISTICS

Center contact retention		
Axial force – Mating end	10	N mini
Axial force – Opposite end	10	N mini
Torque	NA	N.cm mini

Recommended torque		
Mating	NA	N.cm
Panel nut	60	N.cm

Mating life	500	Cycles mini
Weight	0.000	g

Issue : 0504 U

In the effort to improve our products, we reserve the right to make changes judged to be necessary.

